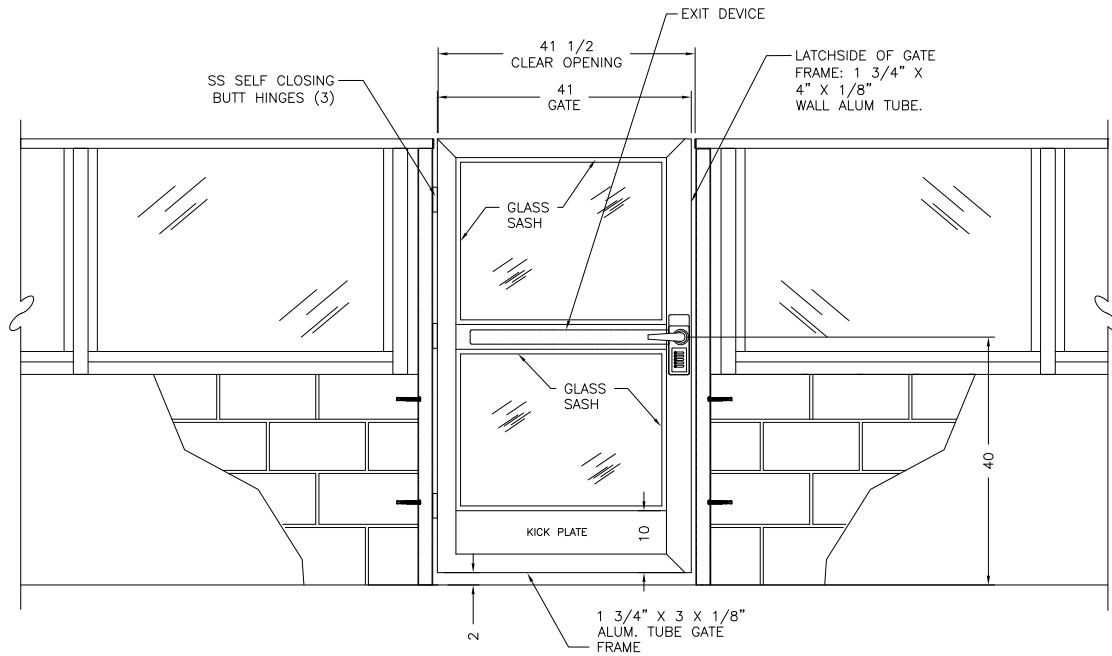
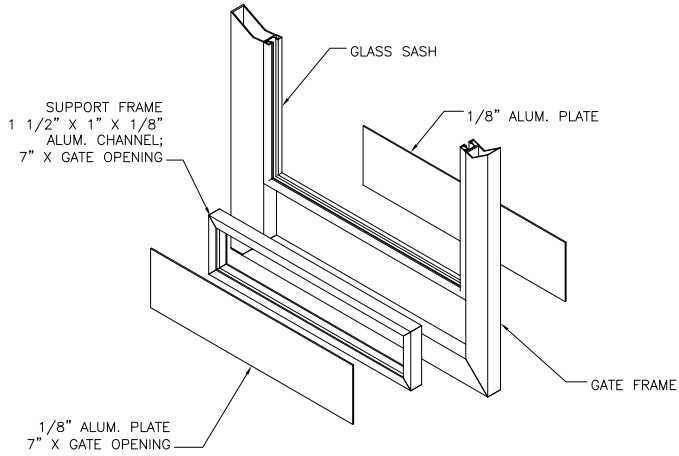




WORLD CLASS ARCHITECTURAL PRODUCTS

**HANSEN**  
ARCHITECTURAL  
SYSTEMS

5500 SE ALEXANDER ST. HILLSBORO OR. 97123  
PH. 503-356-0959 FAX 503-356-8478



CALIFORNIA SERIES GLASS GATE  
[www.aluminumrailing.com](http://www.aluminumrailing.com)