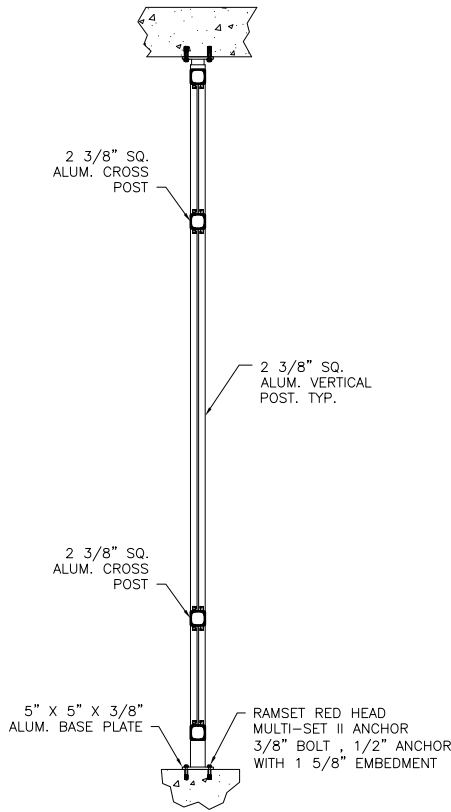




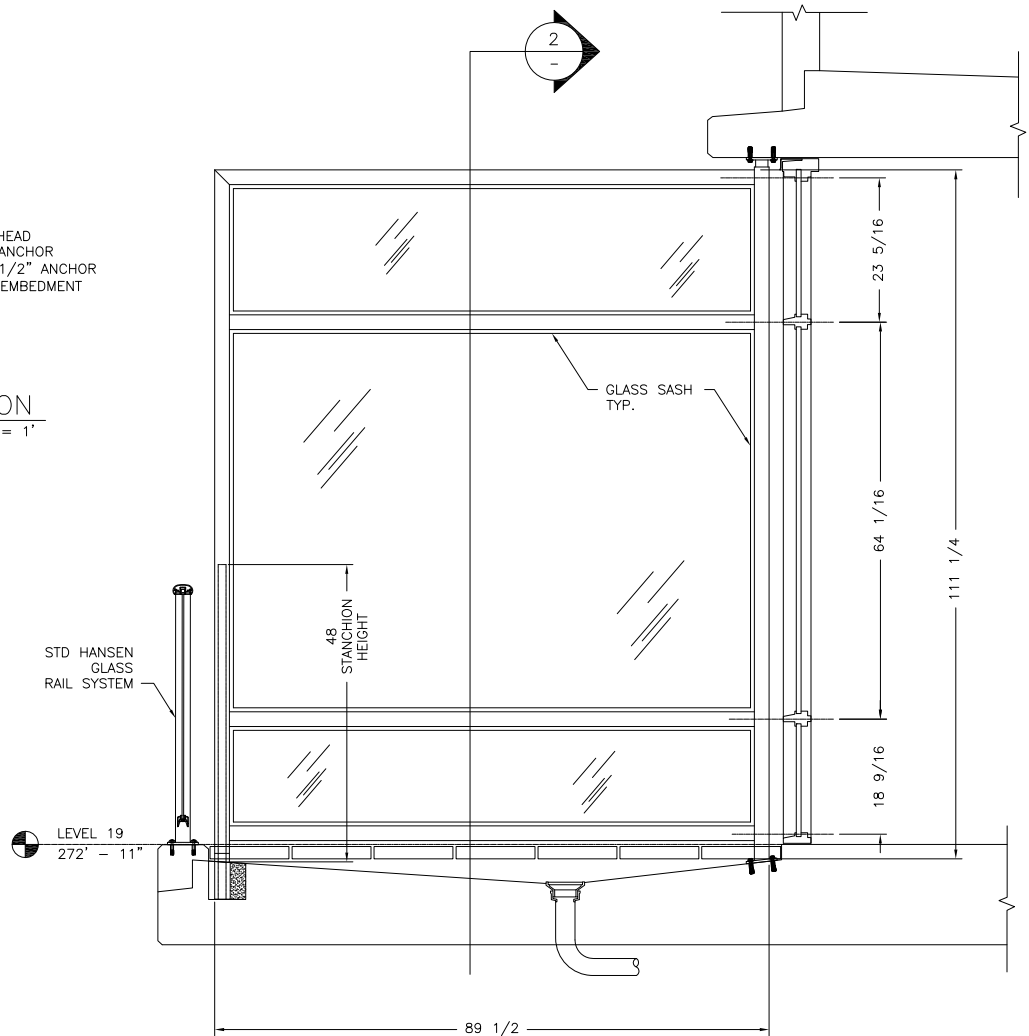
WORLD CLASS ARCHITECTURAL PRODUCTS

HANSEN
ARCHITECTURAL
SYSTEMS

5500 SE ALEXANDER ST. HILLSBORO OR. 97123
PH. 503-356-0959 FAX 503-356-8478



2 PRIVACY SCREEN SECTION
3/4" = 1'



3 PRIVACY SCREEN ELEVATION
3/4" = 1'