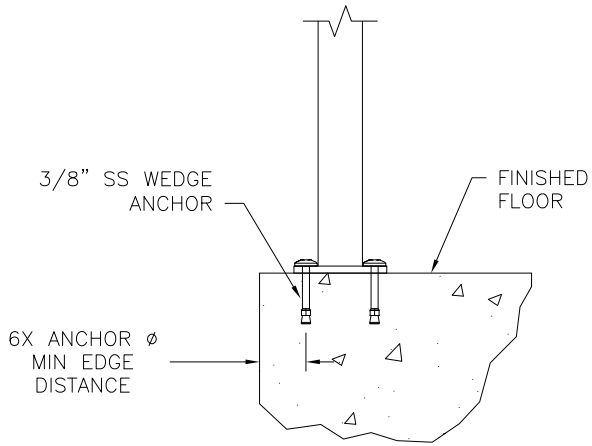




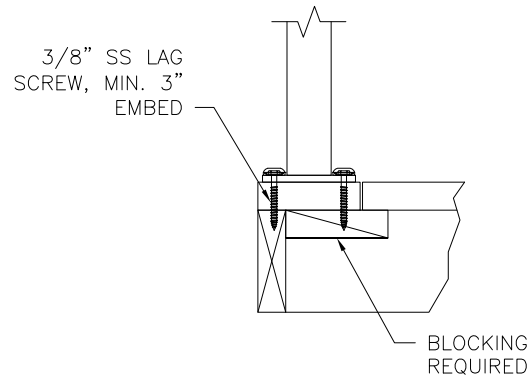
WORLD CLASS ARCHITECTURAL PRODUCTS

**HANSEN**  
ARCHITECTURAL  
SYSTEMS

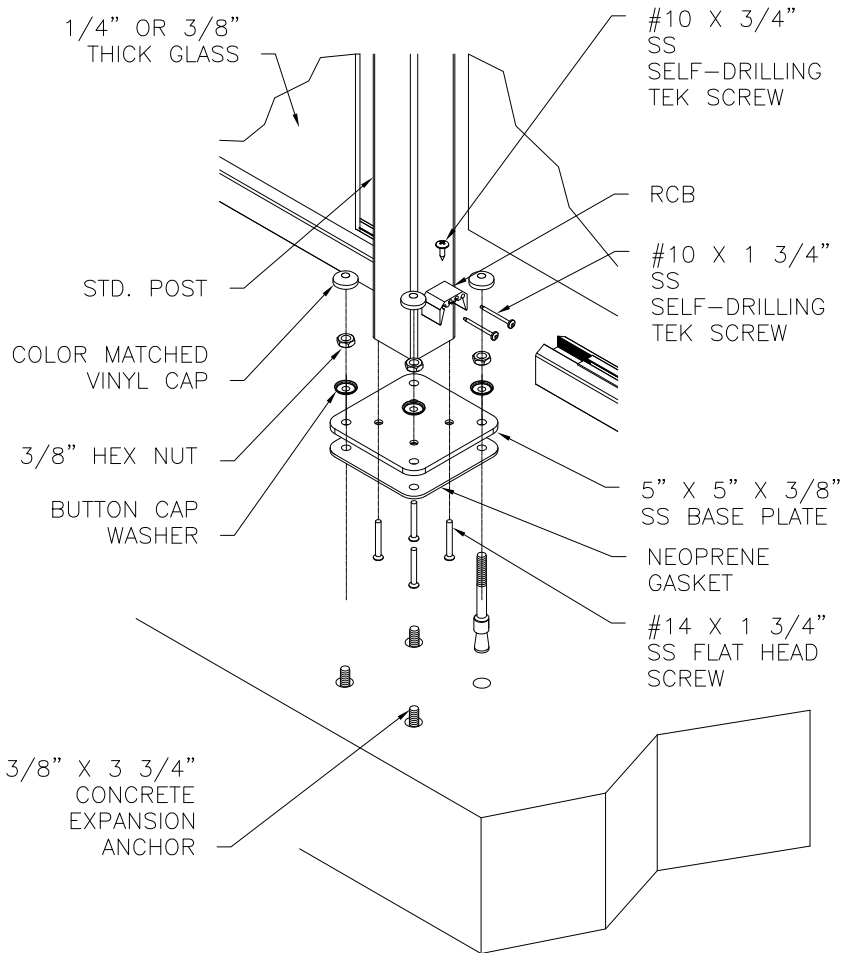
5500 SE ALEXANDER ST. HILLSBORO OR. 97123  
PH. 503-356-0959 FAX 503-356-8478



— SURFACE MOUNTING DETAIL SCALE: 3



— SURFACE MOUNTING DETAIL WOOD OPTION SCALE: 3



— SURFACE MOUNTING DETAIL