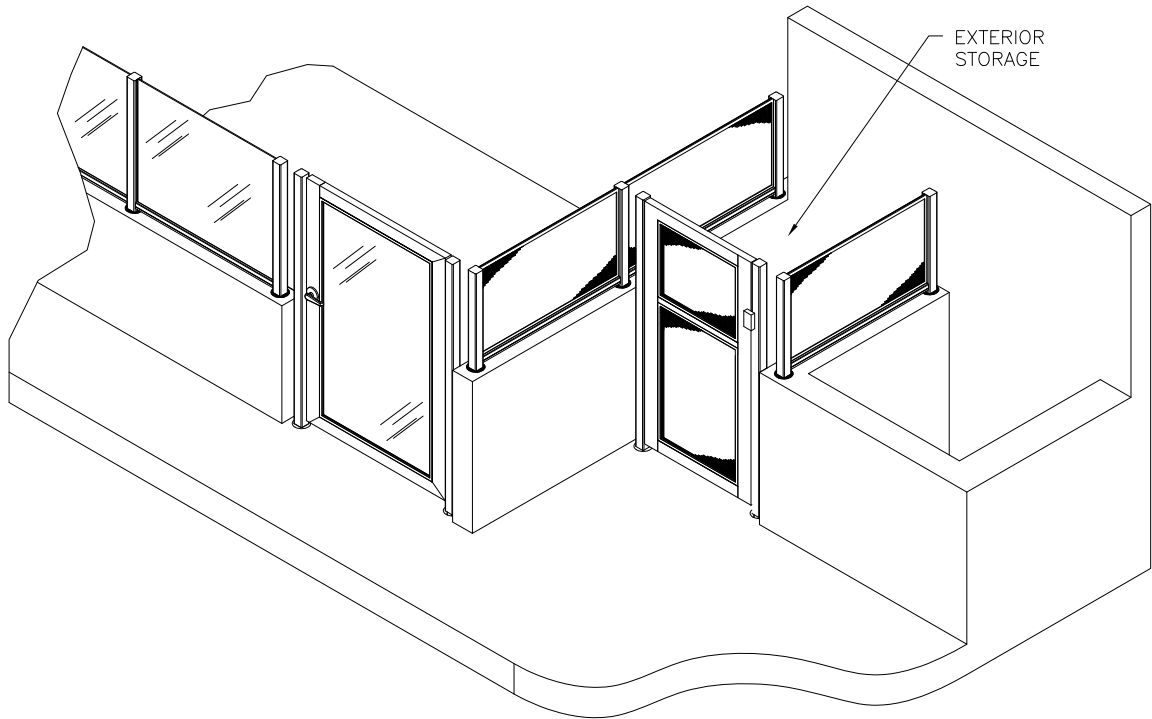




WORLD CLASS ARCHITECTURAL PRODUCTS

HANSEN
ARCHITECTURAL
SYSTEMS

5500 SE ALEXANDER ST. HILLSBORO OR. 97123
PH. 503-356-0959 FAX 503-356-8478



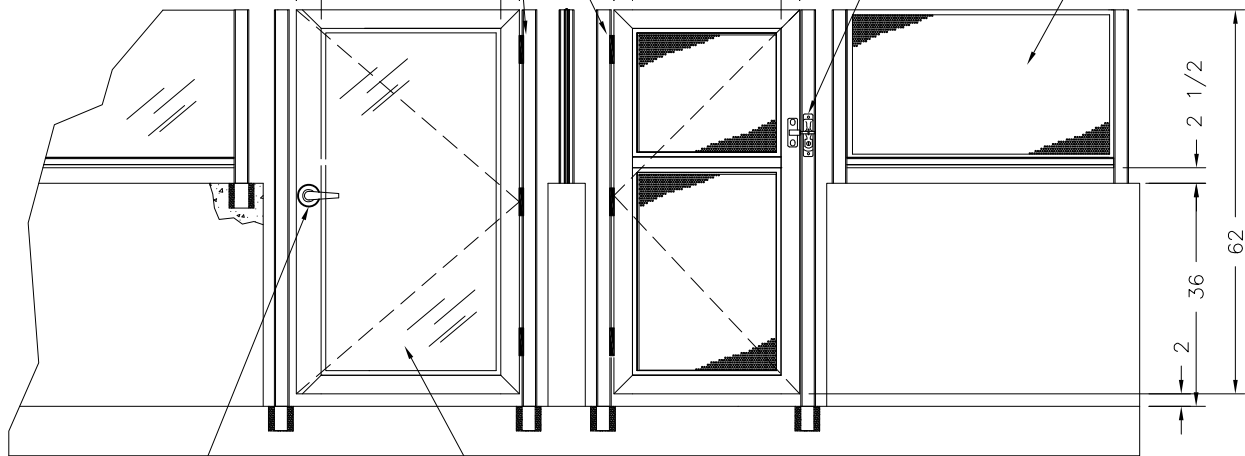
EXTERIOR
STORAGE

SELF CLOSING
HINGES BY HANSEN

36
4 3
30
3 3

LOCKING GATE
LATCH. BY
HANSEN

ALUM. PERFORATED
PANEL:
1/4" X 3/8" STAGGER



HARDWARE SET #37
SCHLAGE D SERIES
ND80PD - BY HANSEN

1/4" SMOKE/OBSCURE
TEMPERED GLASS

THE MARK SERIES ENTRY GATE
www.aluminumrailing.com