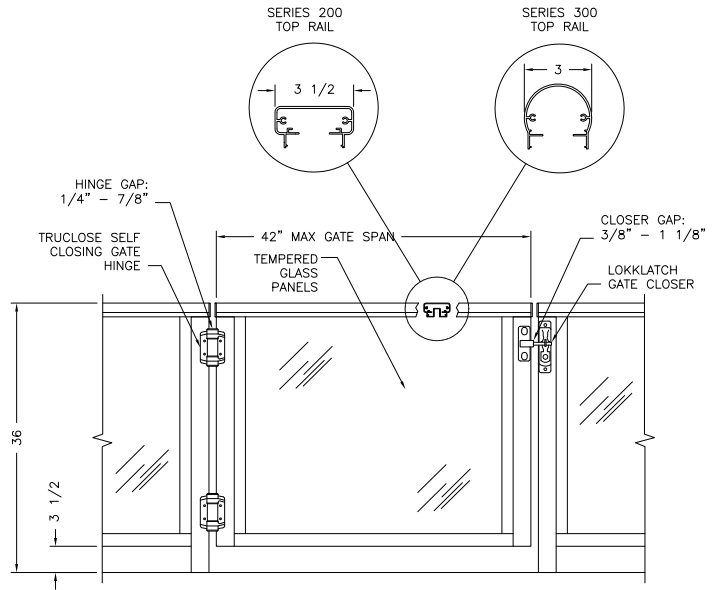
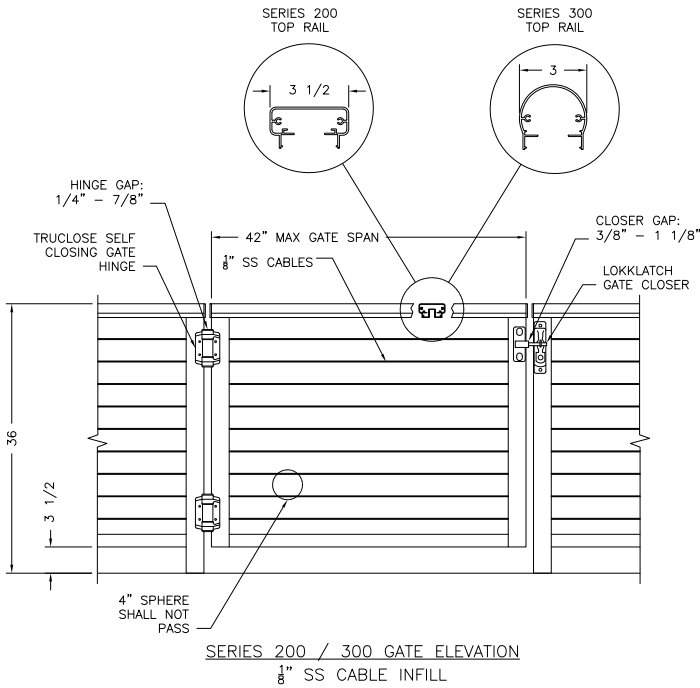


# CLEARVUE RAILING

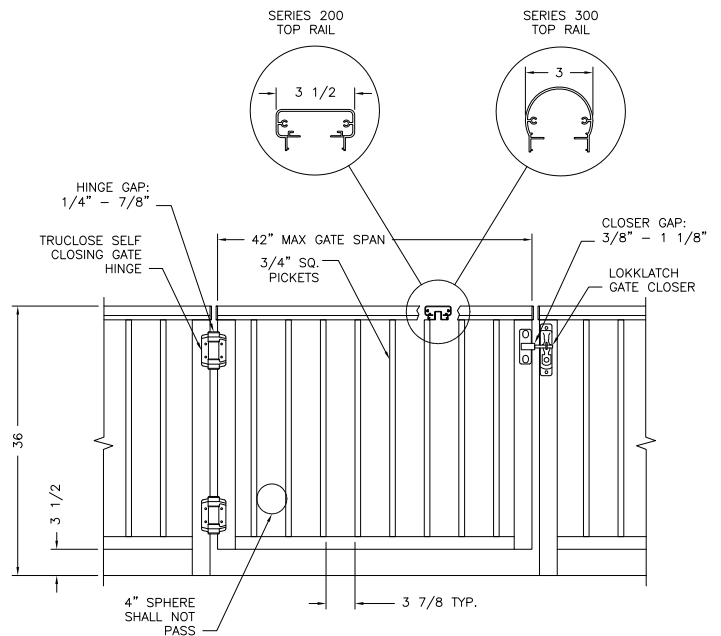
A DIVISION OF HANSEN ARCHITECTURAL SYSTEMS INC.



SERIES 200 / 300 GATE ELEVATION  
GLASS INFILL



SERIES 200 / 300 GATE ELEVATION  
1/8\"/>



SERIES 200 / 300 GATE ELEVATION  
SQ. PICKET INFILL

## SERIES 200 / 300 PEDESTRIAN GATES

5500 SE ALEXANDER ST. HILLSBORO OR. 97123

PH. 503-356-0959 FAX 503-356-8478

www.aluminumrailing.com