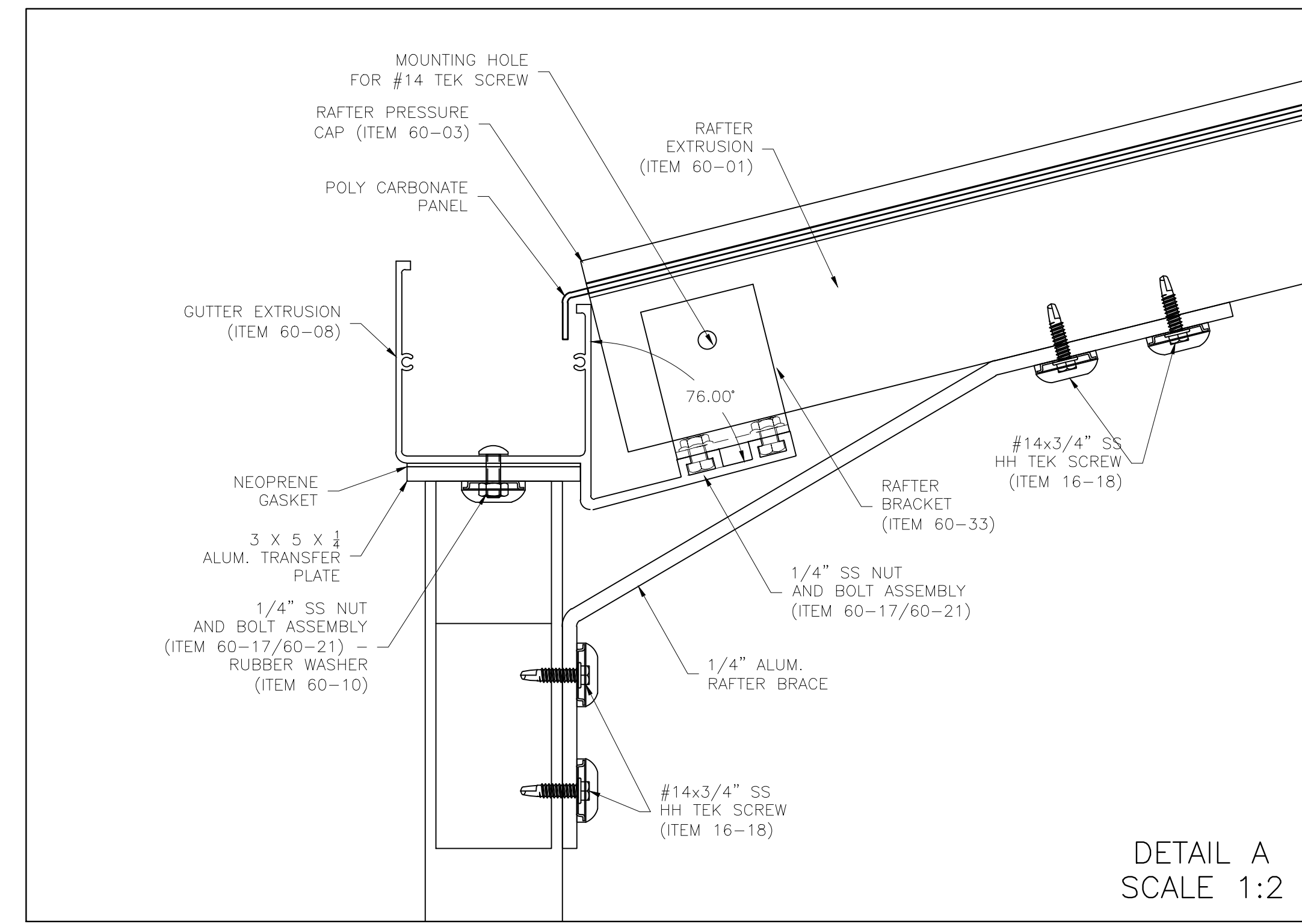
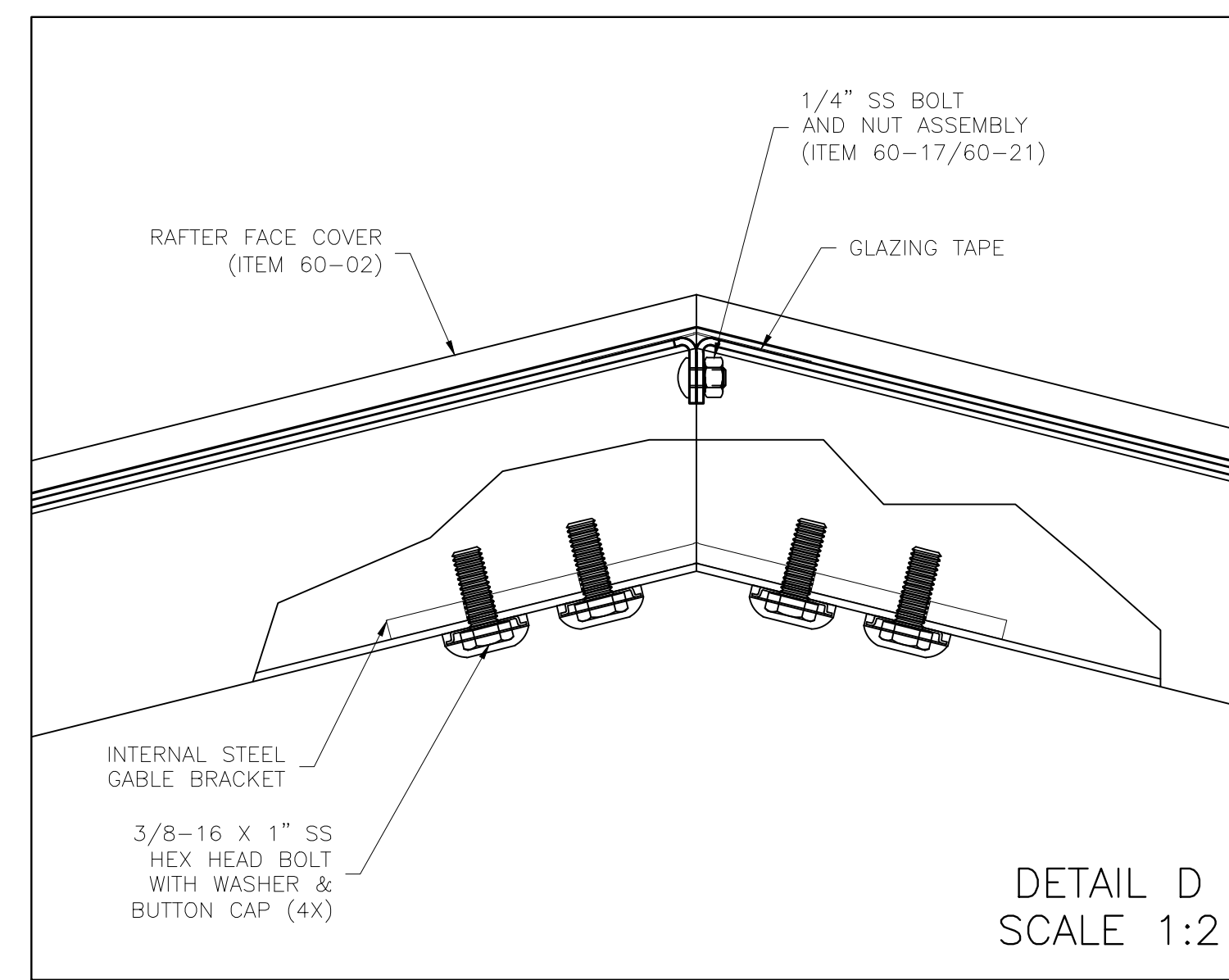


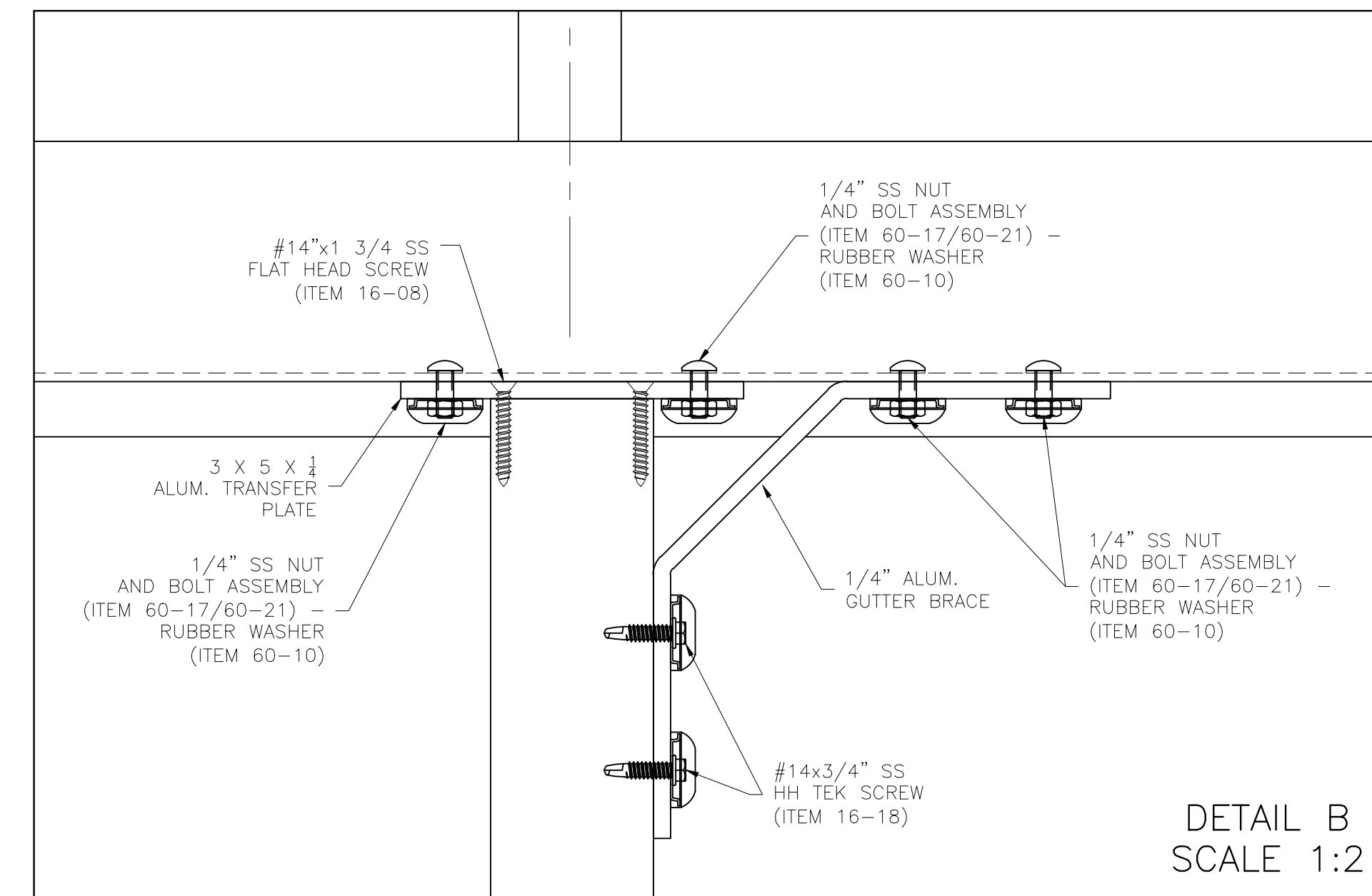
NOTE:  
SEE SHEET 2 FOR FABRICATION & ASSEMBLIES



DETAIL A  
SCALE 1:2



DETAIL D  
SCALE 1:2



DETAIL B  
SCALE 1:2

HARDWARE PARTS LIST

PART #	NAME	QTY
16-18	#14x3/4" SS HH TEK SCREW	52
	MACHINE SCREW 1/4-20x3/4 SS 18-8	24
	MACHINE SCREW 1/4-20x3/8 SS 18-8	12
60-17	BOLT 1/4-20x5/8 SS 316	28
	BOLT 1/4-20 x 2 SS 316	28
60-21	HEX NUT 1/4-20	92
60-10	RUBBER WASHER	24
16-07	#10x3/4" SS FLAT HEAD SCREW	8
16-14	14"x3/4" SS TRUSS HEAD SCREW	84
16-08	#14"x1 3/4" SS FLAT HEAD SCREW	32
16-32	BUTTON CAP (COLOR MATCHED)	92
16-25	1/4" ID BUTTON CAP WASHER	76
16-26	3/8" ID BUTTON CAP WASHER	16
16-01	3/8"x3 3/4" SS LAG SCREW	16
02-01	3/8"x3 3/4" SS WEDGE ANCHOR	16
	GLAZING TAPE	10FT

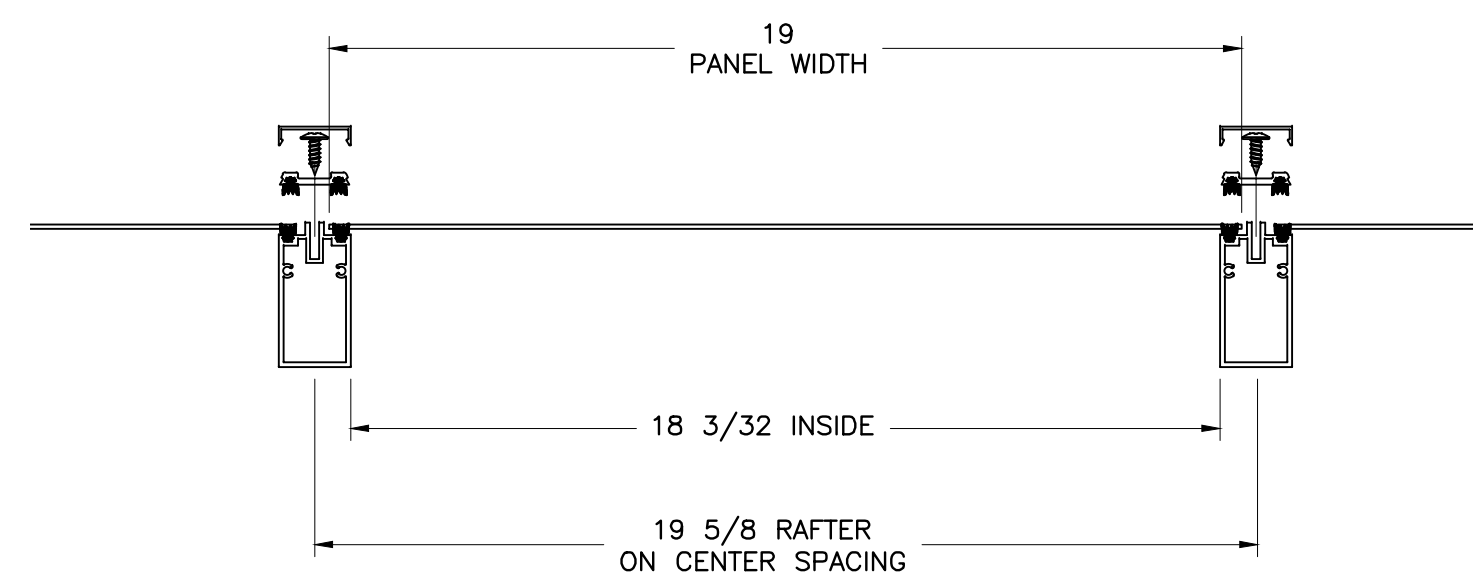
SMALL PARTS LIST

PART #	NAME	QTY
38-13	3x5 NEOPRENE GASKET 1/16 THICK	4
38-06	5x5 NEOPRENE GASKET 1/16 THICK	4
60-12	GUTTER END PLATE LEFT	1
60-13	GUTTER END PLATE RIGHT	1
60-33	RAFTER BRACKET	14
	GABLE BRACKET	7
04-01	3x5x1/4 TRANSFER PLATE	4
04-02	5x5 BASE PLATE	4

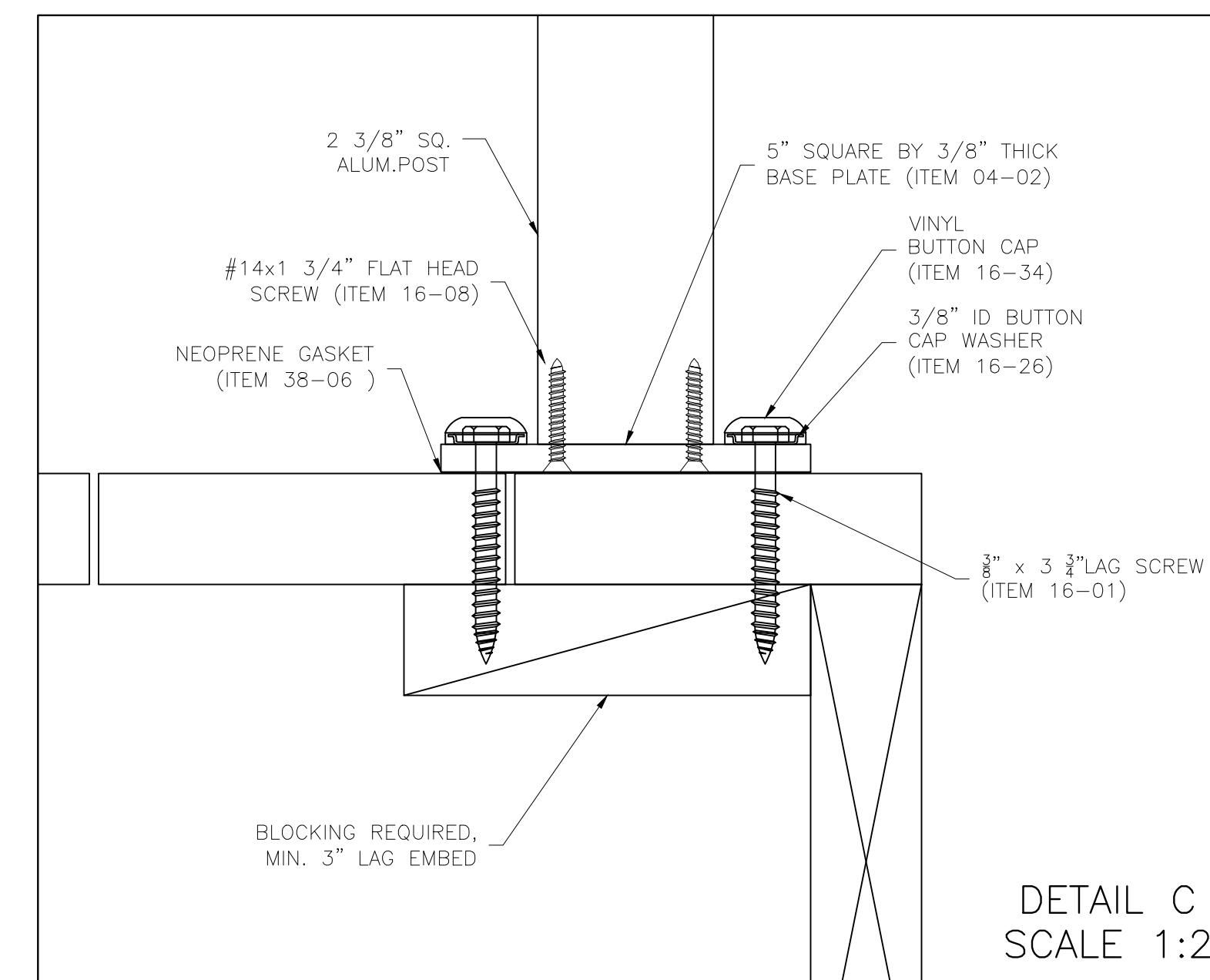
EXTRUSION PARTS LIST

PART #	NAME	QTY	LENGTH
60-08	GUTTER	2	SEE FAB DETAIL
60-01	RAFTER	14	SEE FAB DETAIL
60-03	PRESSURE PLATE*	14	52 1/4"
60-02	FACE COVER*	14	SEE FAB DETAIL
32-02	POST	4	84"
60-16	EPDM GASKET*	1	245'

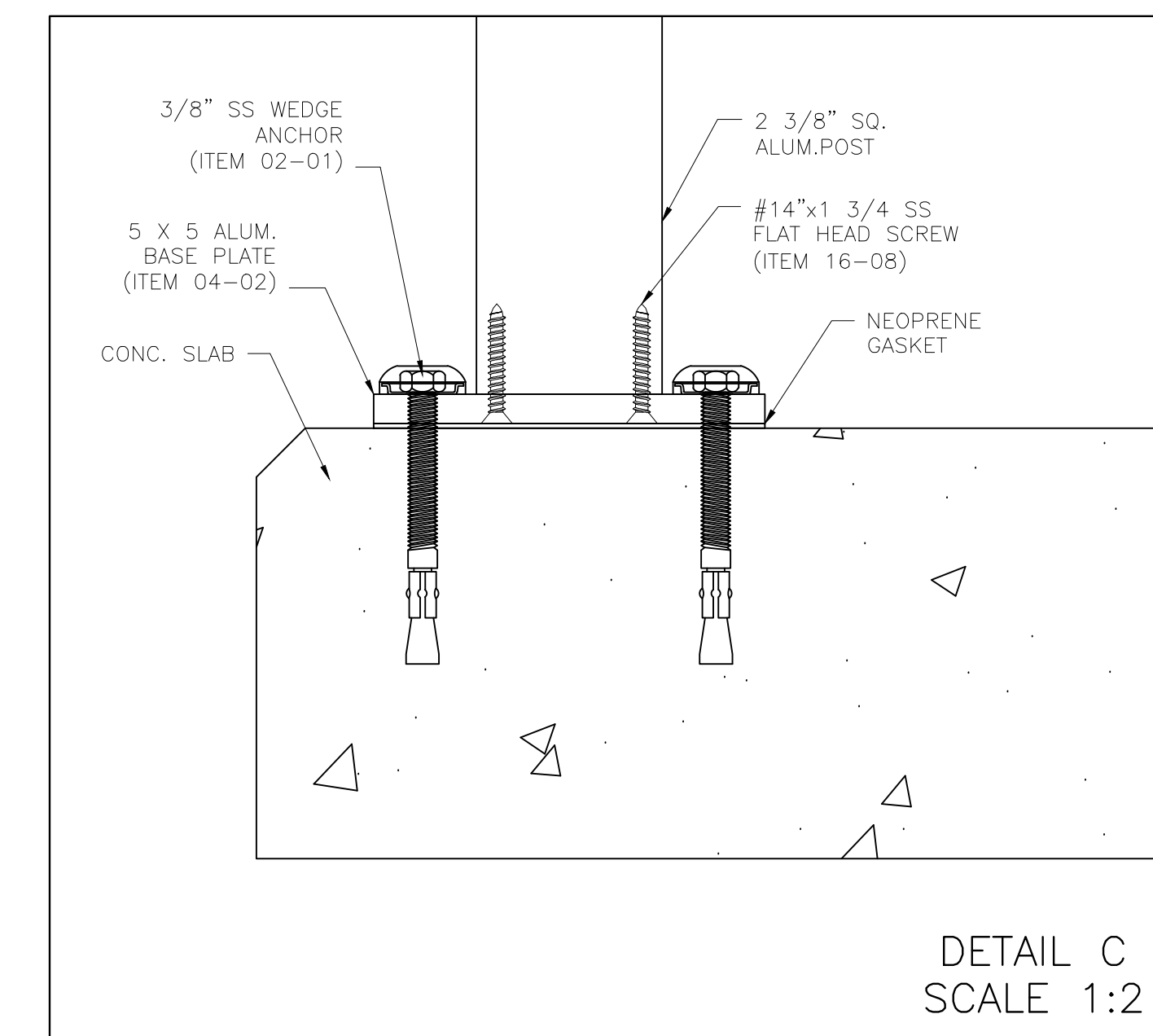
\*SMALL EXTRUSIONS ARE NOT TO SCALE FOR CLARITY



TYPICAL RAFTER / PANEL SPAN



DETAIL C  
SCALE 1:2



DETAIL C  
SCALE 1:2

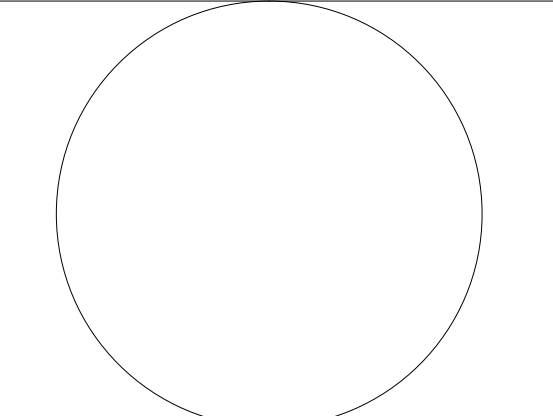
**HANSEN**  
ALUMINUM FABRICATORS  
5500 SE ALEXANDER ST.  
HILLSBORO, OR 97123  
PHONE 503.356.0959  
FAX 503.356.8478  
WWW.ALUMINUMRAILING.COM

**SKY VUE**  
Patio Covers™

PROJECT COLOR  
TO BE DETERMINED

SUBMITTAL

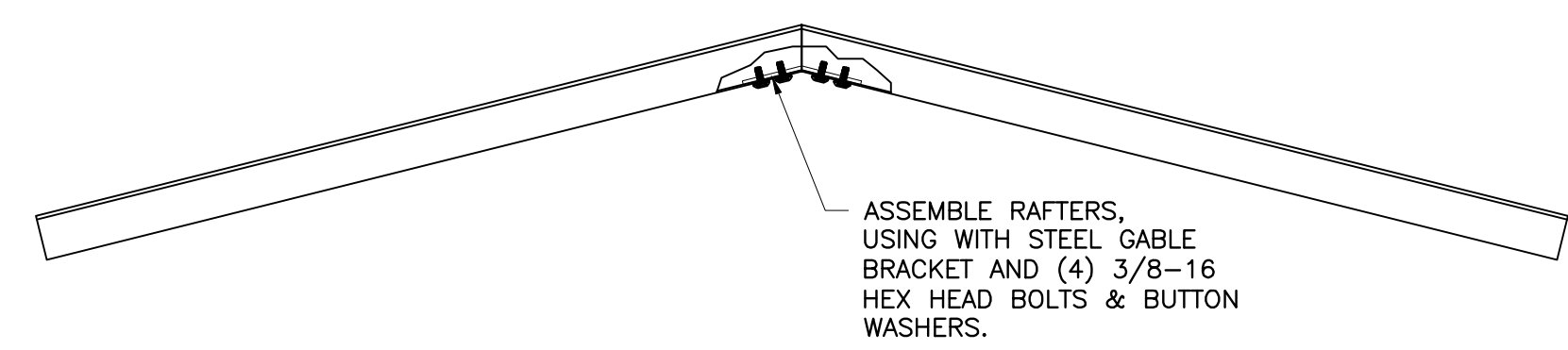
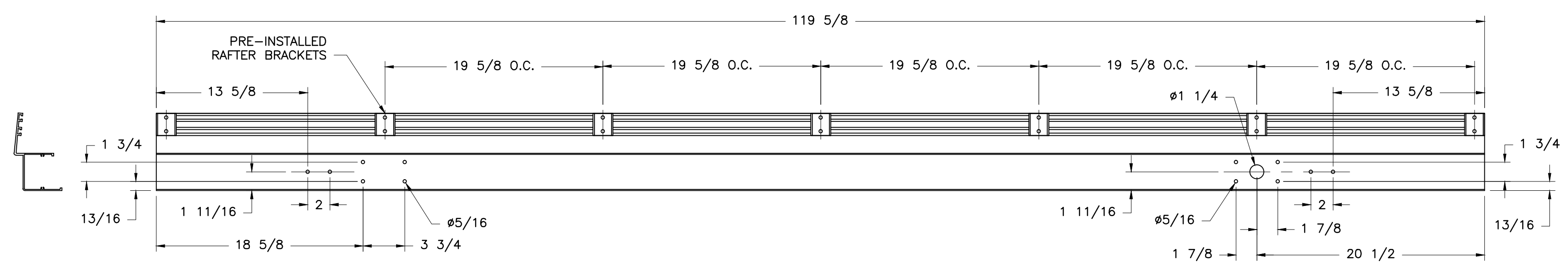
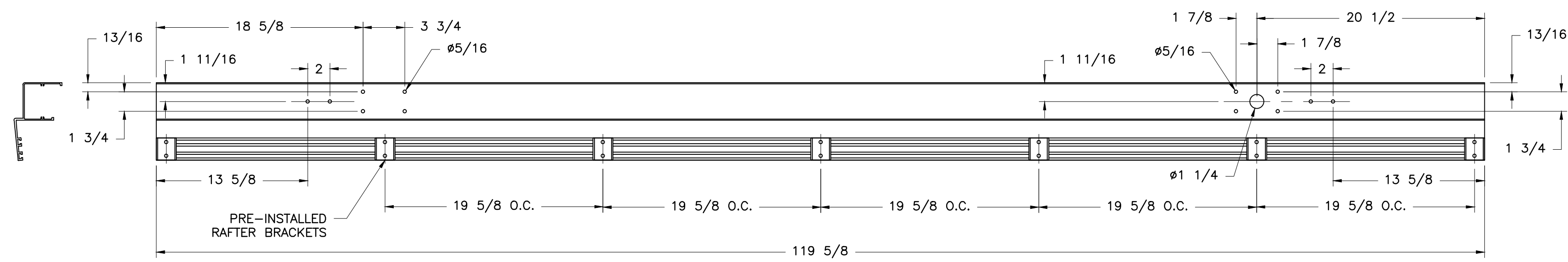
PROPRIETARY AND CONFIDENTIAL  
THE INFORMATION CONTAINED IN THIS DRAWING IS THE SOLE PROPERTY OF SKY VUE PATIO COVERS. ANY REPRODUCTION IN PART OR AS A WHOLE WITHOUT WRITTEN PERMISSION OF SKY VUE PATIO COVERS IS PROHIBITED.



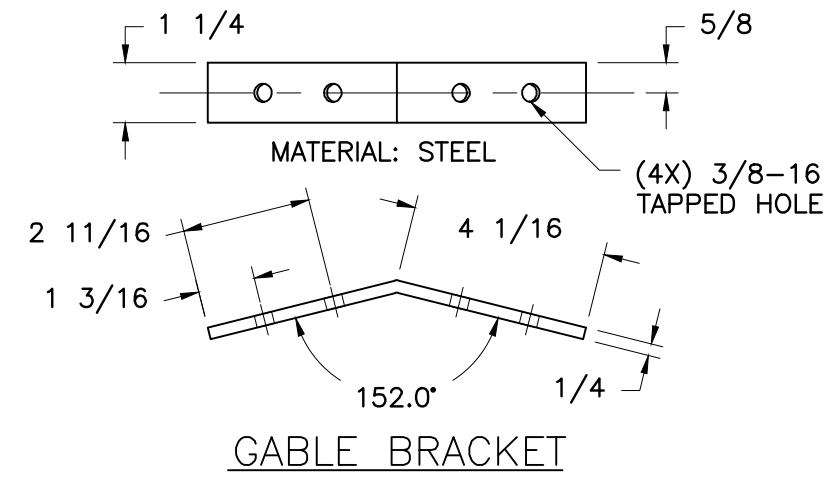
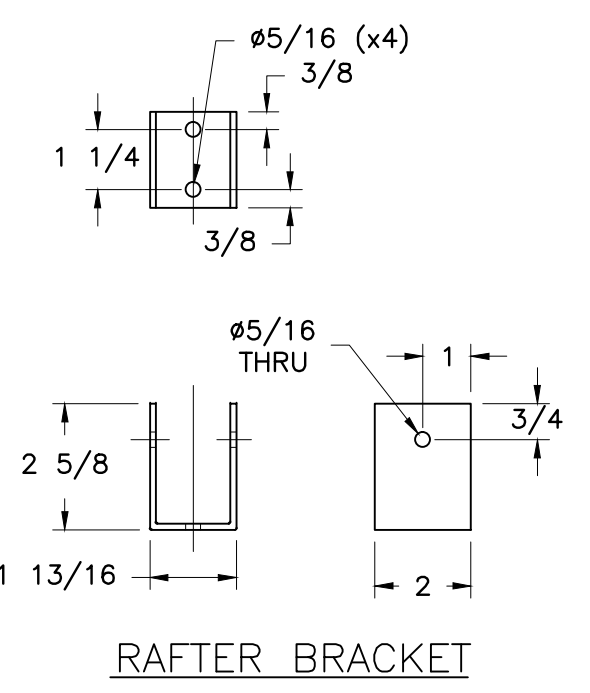
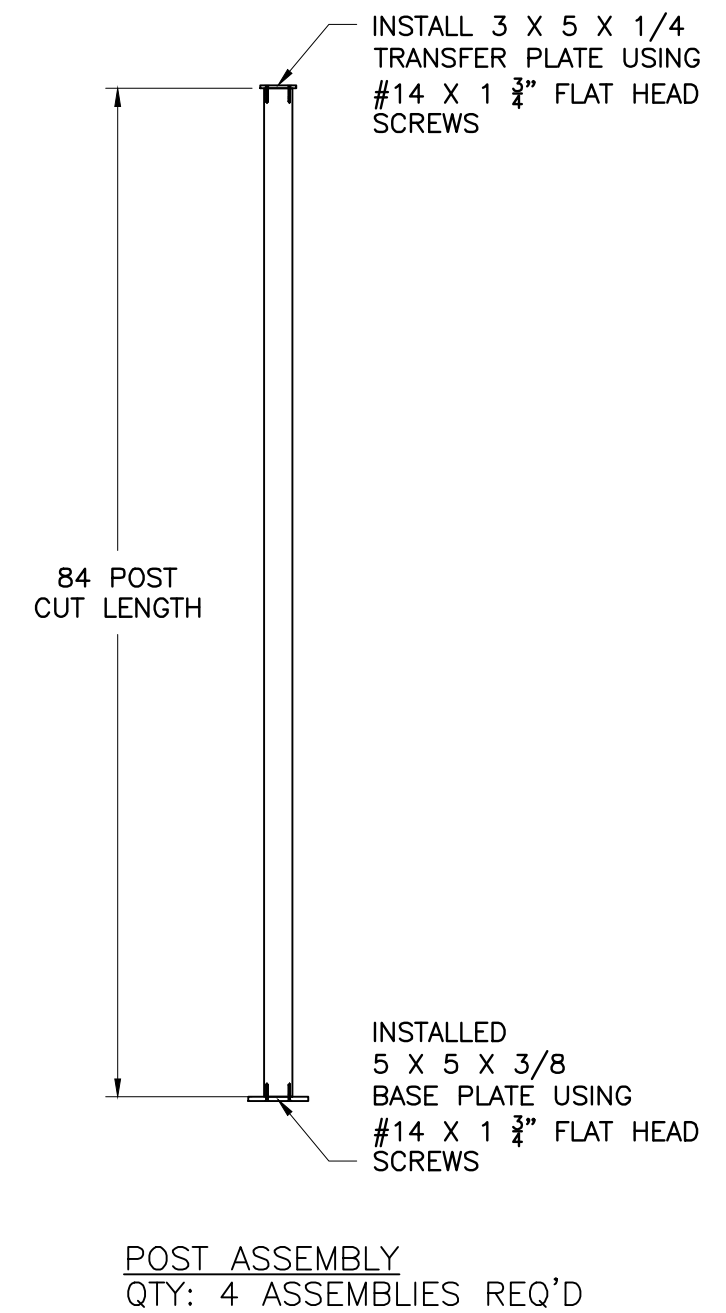
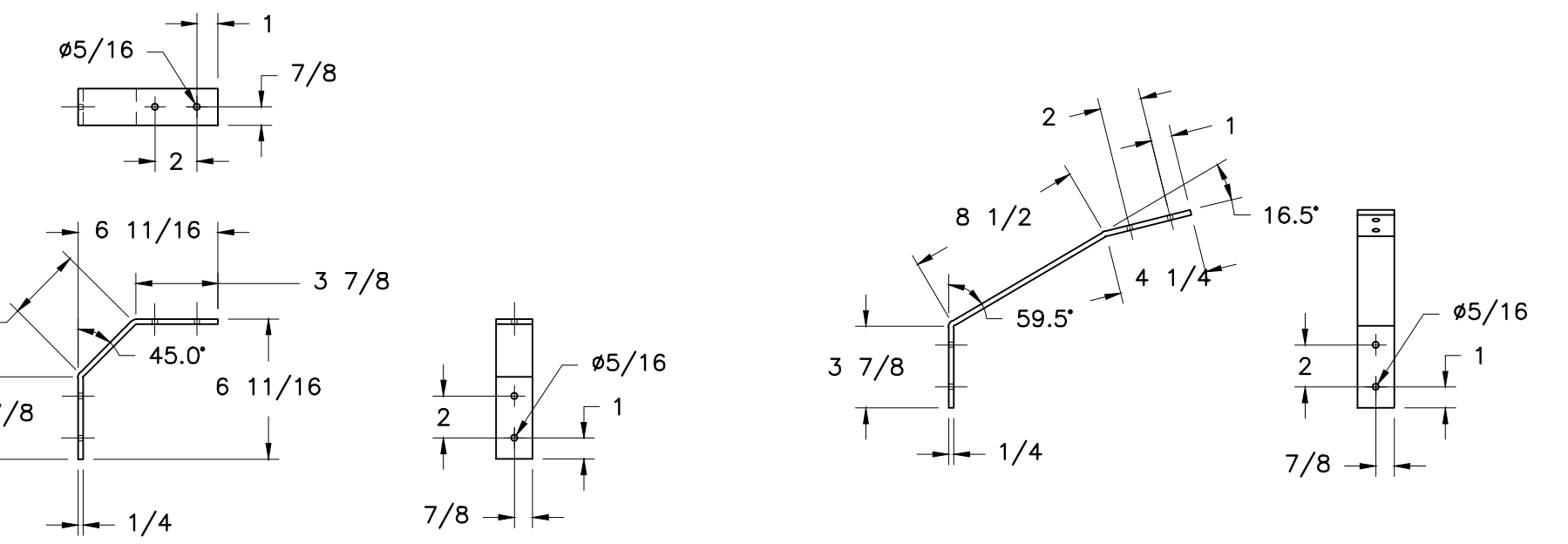
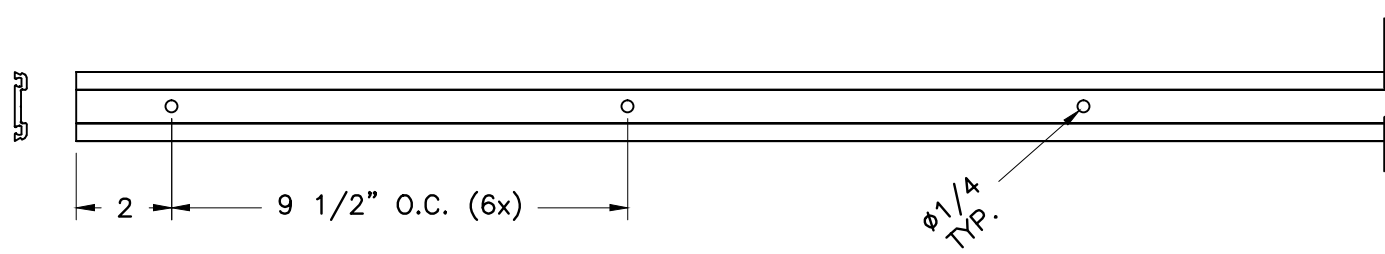
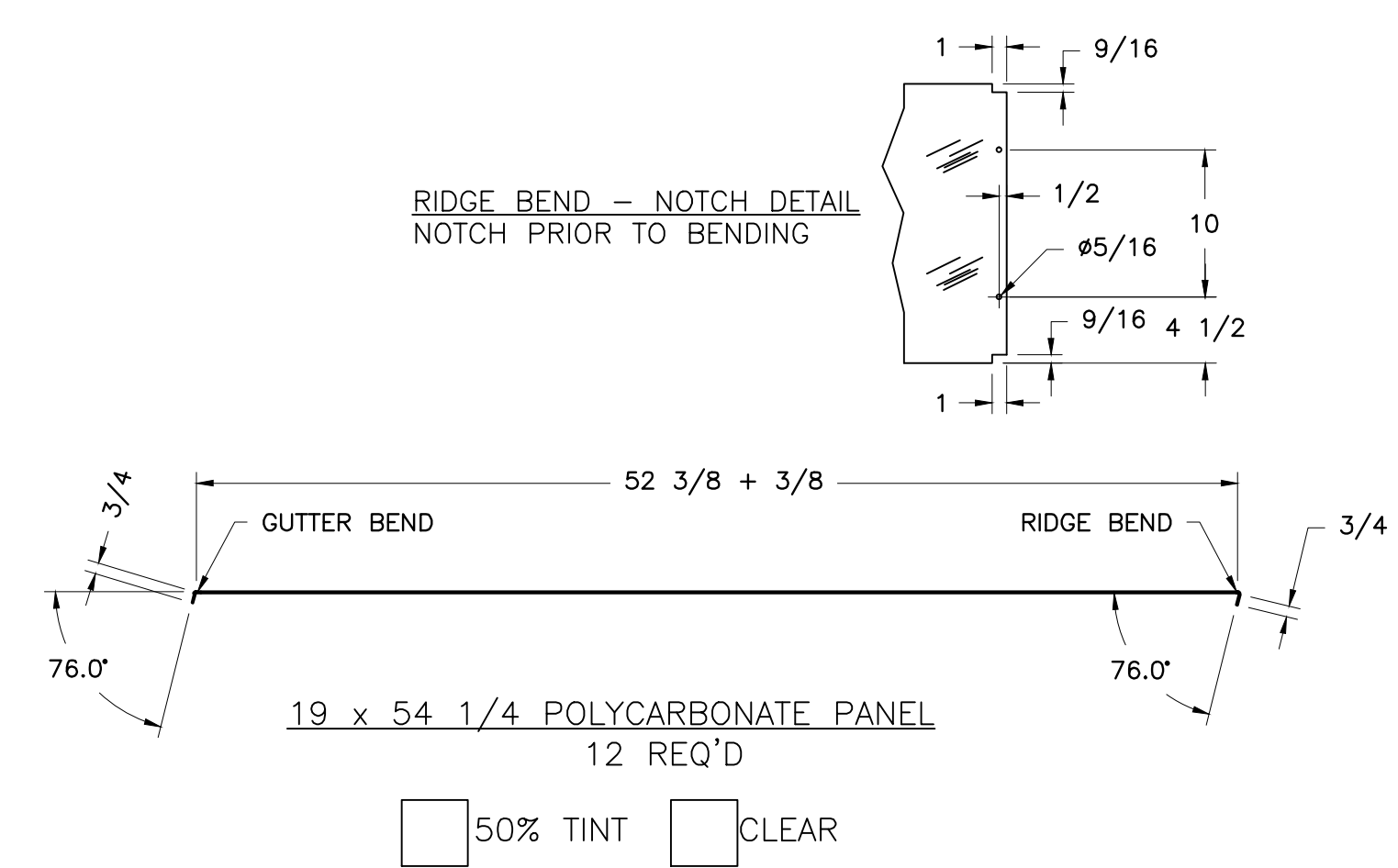
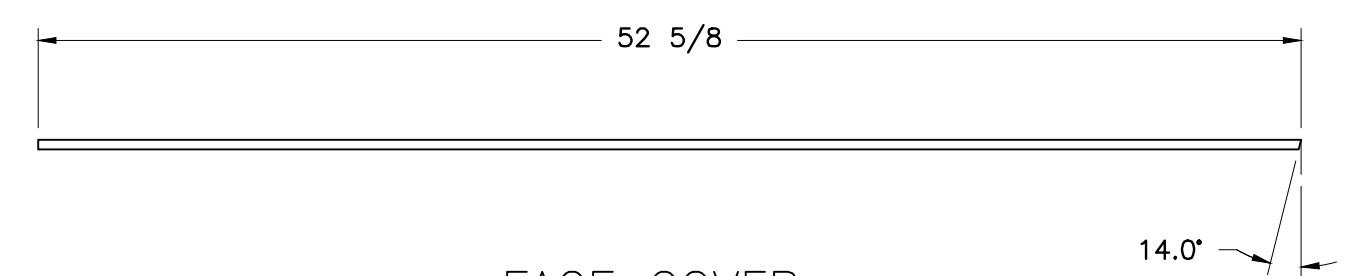
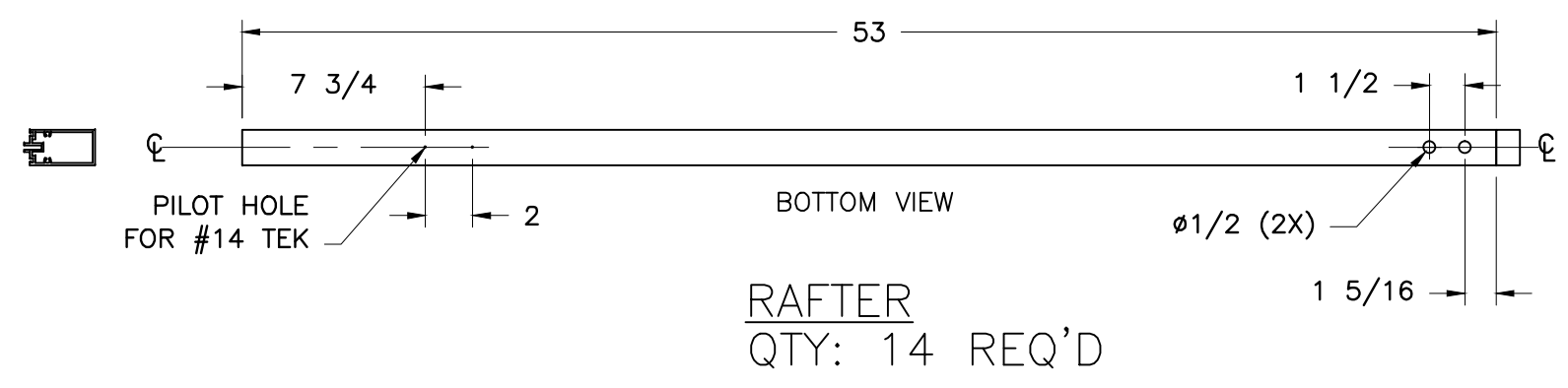
CLIENT INFORMATION  
SKY VUE PATIO COVERS

PROJECT NAME™  
VISION 9 X 10 GABLE CANOPY

PROJECT NUMBER  
DATE ISSUED 12-23-10  
SHEET 1 of 2 REVISION 0



RAFTER ASSEMBLY  
QTY: 7 ASSEMBLIES REQ'D



HARDWARE PARTS LIST

PART #	NAME	QTY
16-18	#14x3/4" SS HH TEK SCREW	52
	MACHINE SCREW 1/4-20x3/4 SS 18-8	24
	MACHINE SCREW 1/4-20x3/8 SS 18-8	12
60-17	BOLT 1/4-20x5/8 SS 316	28
	BOLT 1/4-20 x 2 SS 316	28
60-21	HEX NUT 1/4-20	92
60-10	RUBBER WASHER	24
16-07	#10x3/4" SS FLAT HEAD SCREW	8
16-14	14"x3/4 SS TRUSS HEAD SCREW	84
16-08	#14"x1 3/4 SS FLAT HEAD SCREW	32
16-32	BUTTON CAP (COLOR MATCHED)	92
16-25	1/4" ID BUTTON CAP WASHER	76
16-26	3/8" ID BUTTON CAP WASHER	16
16-01	3/8"x3 3/4" SS LAG SCREW	16
02-01	3/8"x3 3/4" SS WEDGE ANCHOR	16
	GLAZING TAPE	10FT

SMALL PARTS LIST

PART #	NAME	QTY
38-13	3x5 NEOPRENE GASKET 1/16 THICK	4
38-06	5x5 NEOPRENE GASKET 1/16 THICK	4
60-12	GUTTER END PLATE LEFT	1
60-13	GUTTER END PLATE RIGHT	1
60-33	RAFTER BRACKET	14
	GABLE BRACKET	7
04-01	3x5x1/4 TRANSFER PLATE	4
04-02	5x5 BASE PLATE	4

EXTRUSION PARTS LIST

PART #	NAME	QTY	LENGTH
60-08	GUTTER	2	SEE FAB DETAIL
60-01	RAFTER	14	SEE FAB DETAIL
60-03	PRESSURE PLATE*	14	52 1/4"
60-02	FACE COVER*	14	SEE FAB DETAIL
32-02	POST	4	84"
60-16	EPDM GASKET*	1	245'

\*SMALL EXTRUSIONS ARE NOT TO SCALE FOR CLARITY

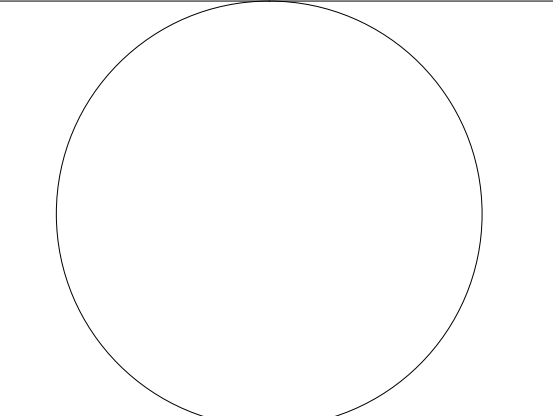
VERIFY MOUNTING SURFACE TO DETERMINE WHICH ANCHOR IS REQUIRED

**HANSEN**  
ALUMINUM RAILING  
5500 SE ALEXANDER ST.  
HILLSBORO, OR 97123  
PHONE 503.356.0959  
FAX 503.356.8478  
WWW.ALUMINUMRAILING.COM

**SKY VUE**  
Patio Covers  
PROJECT COLOR TO BE DETERMINED

SUBMITTAL

PROPRIETARY AND CONFIDENTIAL  
THE INFORMATION CONTAINED IN THIS DRAWING IS THE SOLE PROPERTY OF SKY VUE PATIO COVERS. ANY REPRODUCTION IN PART OR AS A WHOLE WITHOUT WRITTEN PERMISSION OF SKY VUE PATIO COVERS IS PROHIBITED.



CLIENT INFORMATION  
SKY VUE PATIO COVERS  
PROJECT NAME  
VISION 9 X 10 GABLE CANOPY

PROJECT NUMBER  
DATE ISSUED  
SHEET  
12-23-10  
2 of 2  
REVISION  
0